

# MV-CS050-60UM

5 MP 1/2.5" CMOS USB3.0 Area Scan Camera



GEN<i>i>CAM

USB<sup>TM</sup>  
VISION

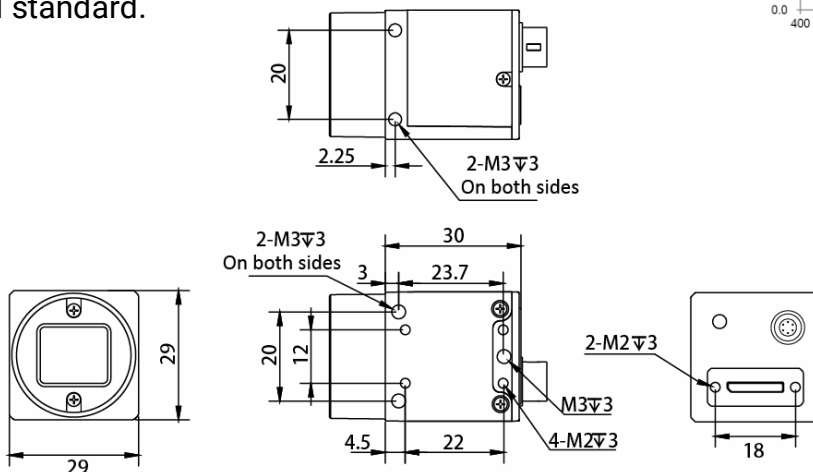
## Introduction

MV-CS050-60UM camera adopts CMOS sensor to provide high-quality images. It uses USB3.0 interface to transmit non-compressed images in real time, and its max. frame rate can reach 48.2 fps in full resolution.

## Key Feature

- Adopts brand new design to optimize logical resources.
- Supports contrast ratio, Gamma correction, etc.
- Supports hardware trigger, software trigger, and free run.
- Compact design with mounting holes on panels for flexible mounting from 4 sides.
- Compatible with USB3 Vision Protocol, GenICam Standard, and the third-party software based on the protocol and standard.

## Dimension



Unit: mm

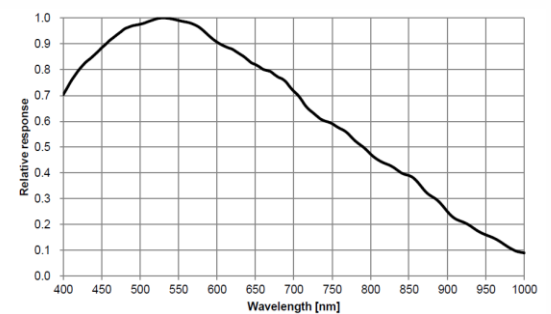
## Available Model

MV-CS050-60UM

## Applicable Industry

Electronics and semiconductor, factory automation, logistics and code reading, medicine package, etc.

## Sensor Quantum Efficiency



# Specification

<b>Model</b>	<b>MV-CS050-60UM</b>
<b>Performance</b>	
<b>Sensor type</b>	CMOS, rolling shutter
<b>Sensor model</b>	HK
<b>Pixel size</b>	2.2 $\mu\text{m}$ $\times$ 2.2 $\mu\text{m}$
<b>Sensor size</b>	1/2.5"
<b>Resolution</b>	2592 $\times$ 1944
<b>Max. frame rate</b>	48.2 fps @2592 $\times$ 1944 Mono 8
<b>Dynamic range</b>	65.4 dB
<b>SNR</b>	40.7 dB
<b>Gain</b>	0 dB to 24 dB
<b>Exposure time</b>	12 $\mu\text{s}$ to 1.25 sec
<b>Exposure mode</b>	Off/Once/Continuous exposure mode, supports Global Reset, Rolling, and Trigger Rolling.
<b>Mono/color</b>	Mono
<b>Pixel format</b>	Mono 8/10/10Packed/12/12Packed
<b>Binning</b>	Supports 1 $\times$ 1, 2 $\times$ 2
<b>Decimation</b>	Supports 1 $\times$ 1, 2 $\times$ 2, 4 $\times$ 4
<b>Reverse image</b>	Supports horizontal and vertical reverse image output
<b>Electrical features</b>	
<b>Data interface</b>	USB3.0, compatible with USB2.0
<b>Digital I/O</b>	6-pin P7 connector provides power and I/O, including opto-isolated input $\times$ 1 (Line 0), opto-isolated output $\times$ 1 (Line 1), bi-directional non-isolated I/O $\times$ 1 (Line 2).
<b>Power supply</b>	9 VDC to 24 VDC, supports USB3.0 power supply
<b>Power consumption</b>	Typ. 2.6 W@5 VDC (USB3.0 provides power supply)
<b>Mechanical</b>	
<b>Lens mount</b>	C-Mount
<b>Dimension</b>	29 mm $\times$ 29 mm $\times$ 30 mm (1.1" $\times$ 1.1" $\times$ 1.2")
<b>Weight</b>	Approx. 80 g (0.18 lb.)
<b>Ingress protection</b>	IP40 (under proper lens installation and wiring)
<b>Temperature</b>	Working temperature: -30 $^{\circ}\text{C}$ to 60 $^{\circ}\text{C}$ (-22 $^{\circ}\text{F}$ to 140 $^{\circ}\text{F}$ ) Storage temperature: -30 $^{\circ}\text{C}$ to 70 $^{\circ}\text{C}$ (-22 $^{\circ}\text{F}$ to 158 $^{\circ}\text{F}$ )
<b>Humidity</b>	20% to 95% RH, non-condensing
<b>General</b>	
<b>Client software</b>	MVS or third-party software meeting with USB3 Vision Protocol
<b>Operating system</b>	32/64-bit Windows XP/7/10, 32/64-bit Linux and 64-bit MacOS
<b>Compatibility</b>	USB3 Vision, GenICam
<b>Certification</b>	CE, FCC, RoHS, KC

**HIKROBOT**

Hangzhou Hikrobot Co., Ltd.  
en.hikrobotics.com

© Hangzhou Hikrobot Co., Ltd. All Rights Reserved.

Hangzhou Hikrobot does not tolerate any infringement. Any organization or individual may not imitate or reproduce in whole or in part of the content. The data herein is based on Hikrobot's internal evaluation. Actual data may vary depending on specific configuration and operating condition. The information herein is subject to change without notice. All the content has been checked conscientiously. Nevertheless, Hikrobot shall not be liable to damages resulting from errors, inconsistencies or omissions.